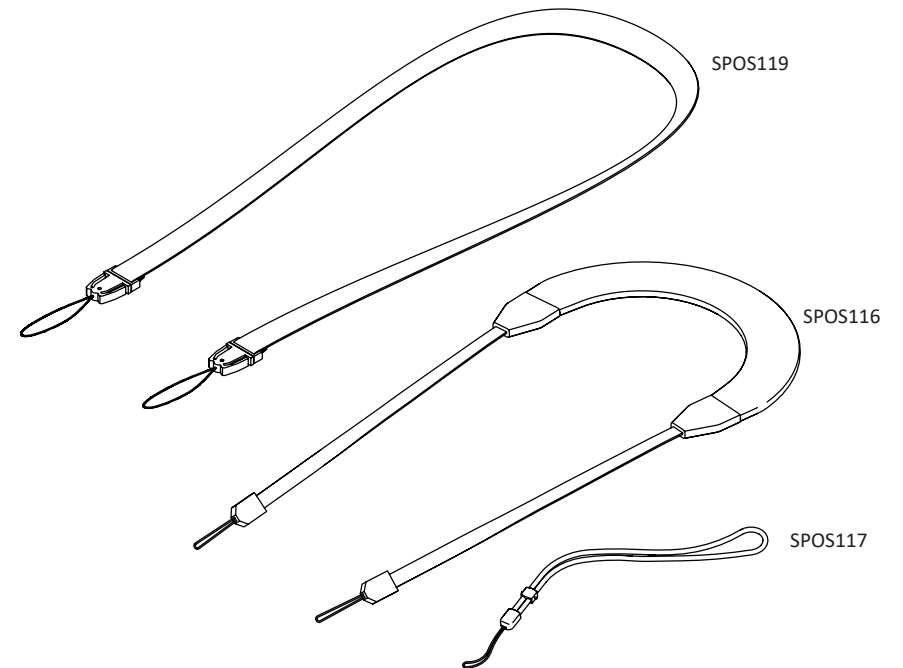


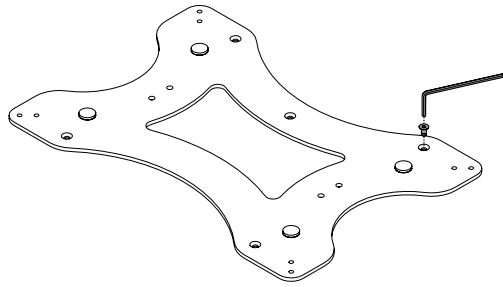
SPOS116, SPOS117 & SPOS119

Installation Guide

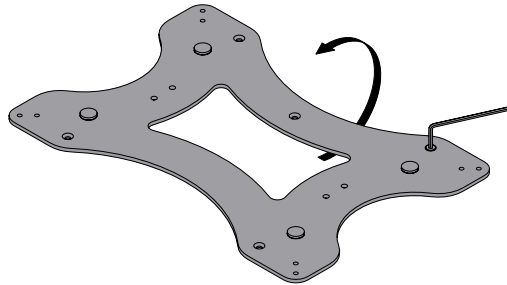


Installing anchor point

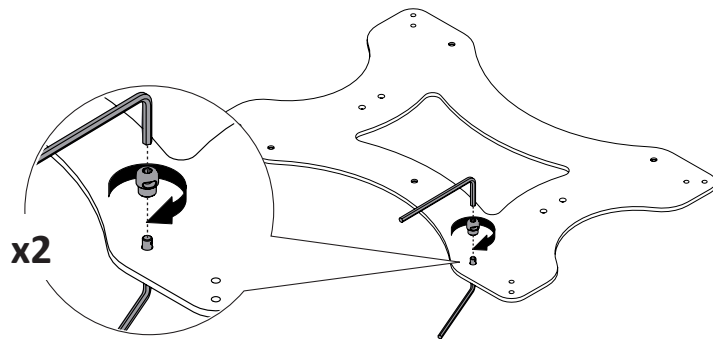
- 1 Insert M3 screw into hardware mount*



- 2 Flip hardware mount*



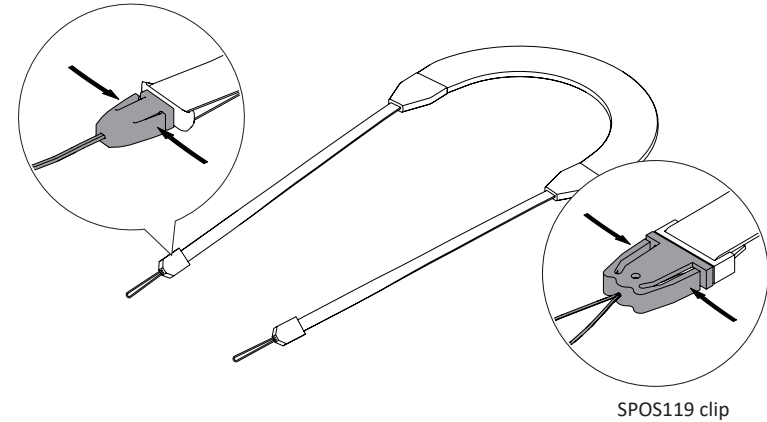
- 3 Attach anchor*



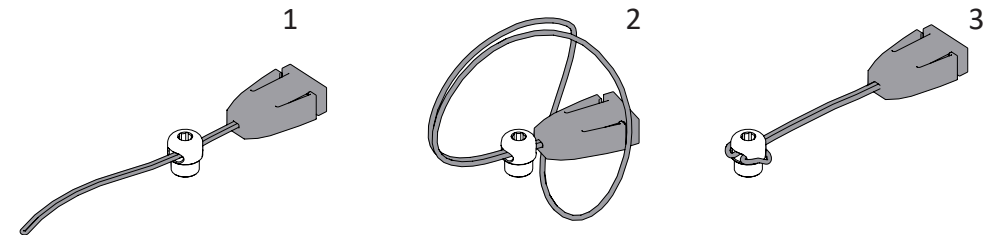
*SPOS116 & SpacePole Vario are used for illustration

Installing carrying strap

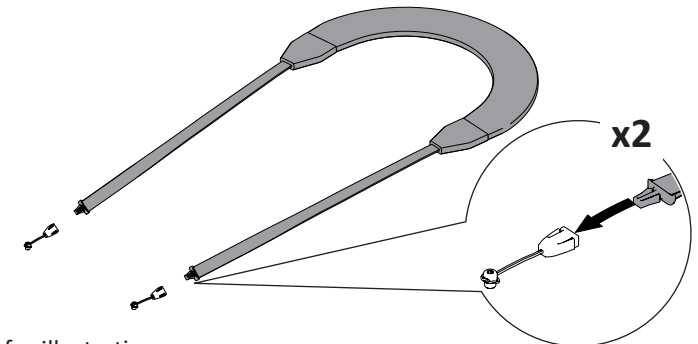
- 4 Detach nylon string. Only needed for SPOS116 & SPOS119*



- 5 Loop string through anchor*



- 6 Attach nylon string. Only needed for SPOS116 & SPOS119*



*SPOS116 is used for illustration